

DC switch-disconnector ZFV55 SMAH1 A40



Electrical data (according to IEC60947-3)

| Voltage (DC) | Category of operation | I _e |
|--------------|-----------------------|----------------|
| 400 V | DC-PV1 | 55 |
| 600 V | DC-PV1 | 55 |
| 800 V | DC-PV1 | 55 |
| 1000 V | DC-PV1 | 55 |
| 1200 V | DC-PV1 | 55 |
| 1500 V | DC-PV1 | 55 |

Electrical data (according to UL508i)

| Voltage (DC) | Category of operation | I _e |
|--------------|-----------------------|----------------|
| 1000V | UL508i | 55 |

Standards

| | |
|---------------|--------|
| IEC 60947-1&3 | UL508i |
|---------------|--------|



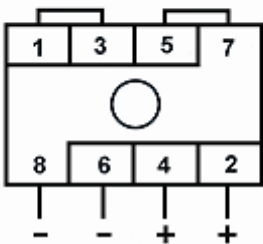
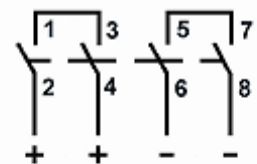
Technical data:

Maximum cable cross sections (incl.jumpers)

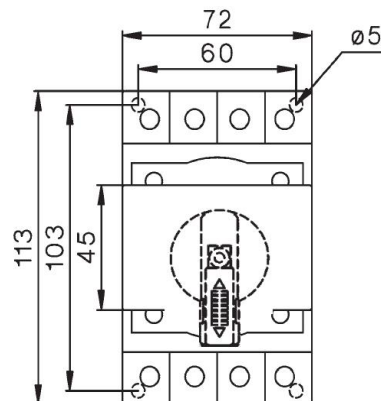
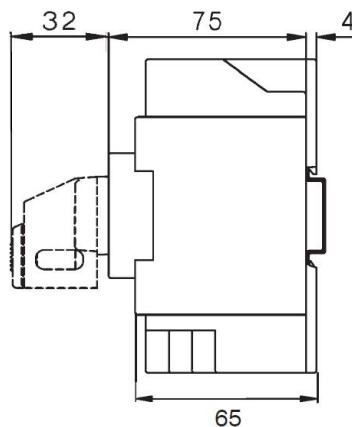
| | | |
|---|-------------------|--------|
| Solid or stranded | mm ² | 2,5-25 |
| Flexible | mm ² | 4-16 |
| Flexible (+ multi-core cable end) | mm ² | 2,5-16 |
| Size of termin screw | | M5 Pz2 |
| Tightening torque | Nm | 2,5-3 |
| Rated conditional short-circuit current | kA _{eff} | 5 |
| Max fuse size gL (gG) | A | 125 |

Wiring diagram & dimensions

...A40



...A4 versions



You will find detailed information about our products on our web site www.jdauspice.com



DC switch-disconnector
ZFV55 SMAH1 A40)

3F, No.288, Sec. 2,
Zhonghua Rd., Xinzhuang Dist.,
New Taipei City 24246,
Taiwan R.O.C.